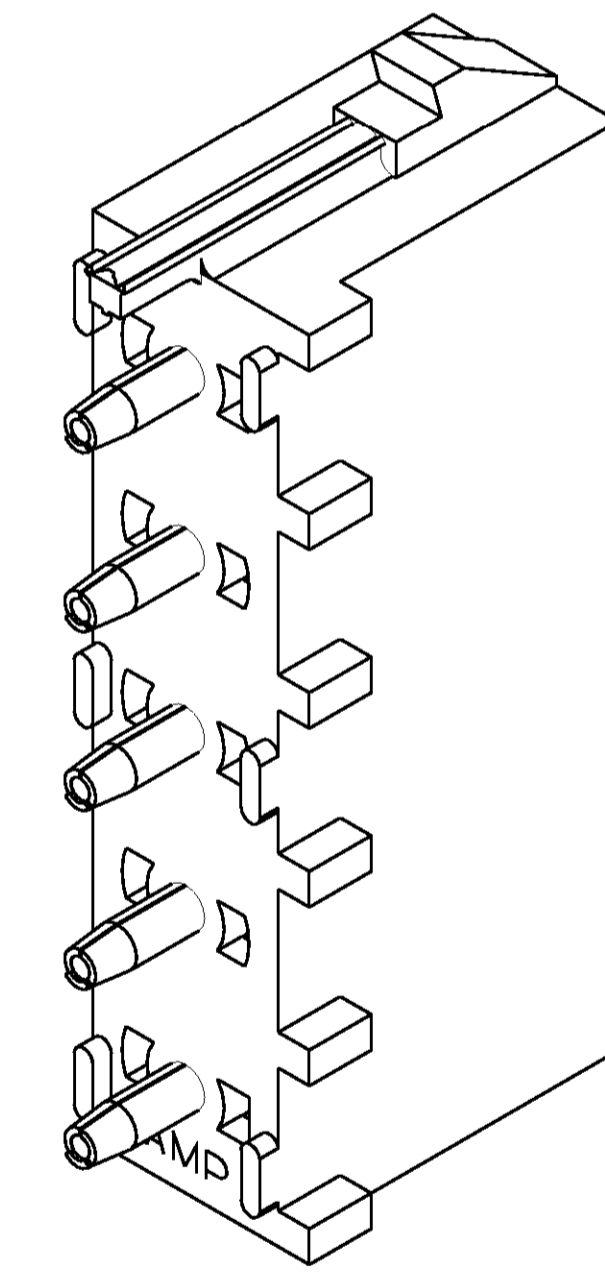
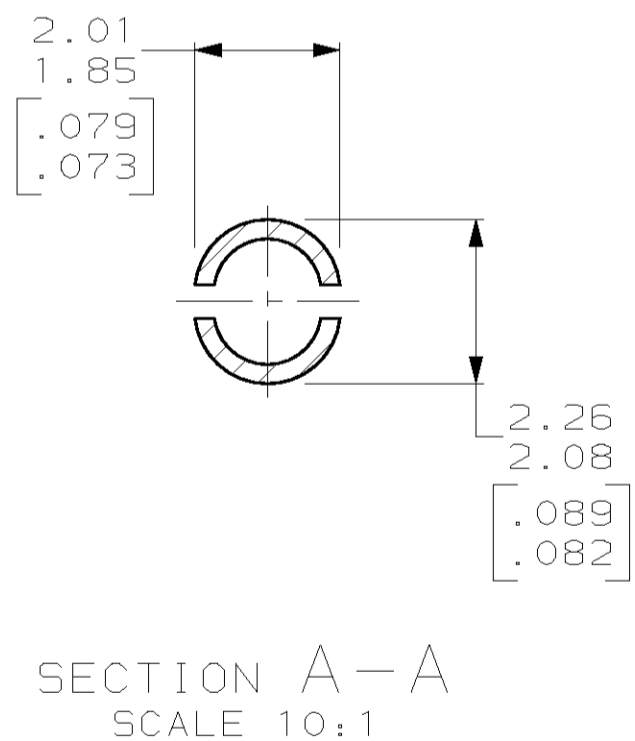
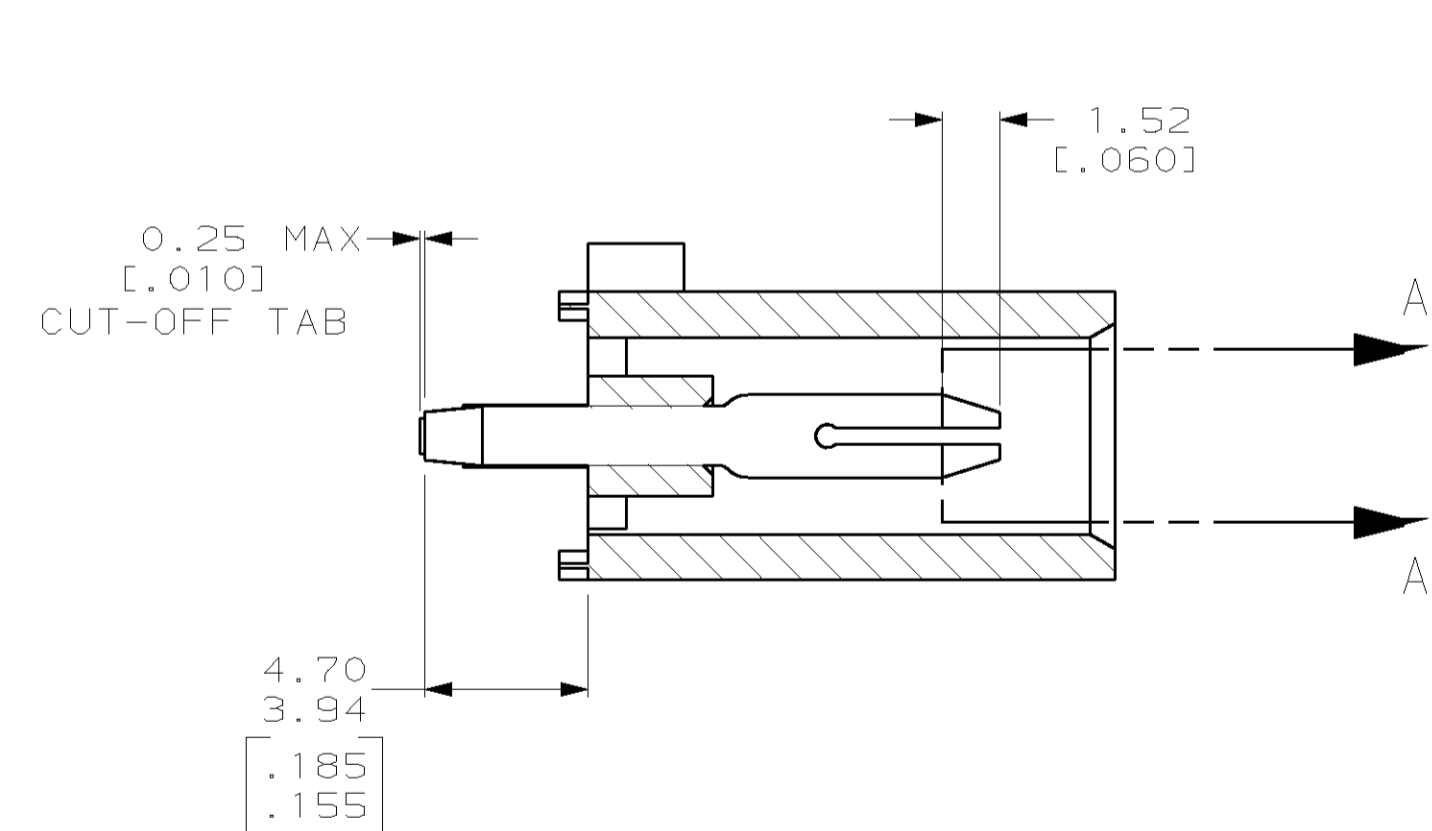
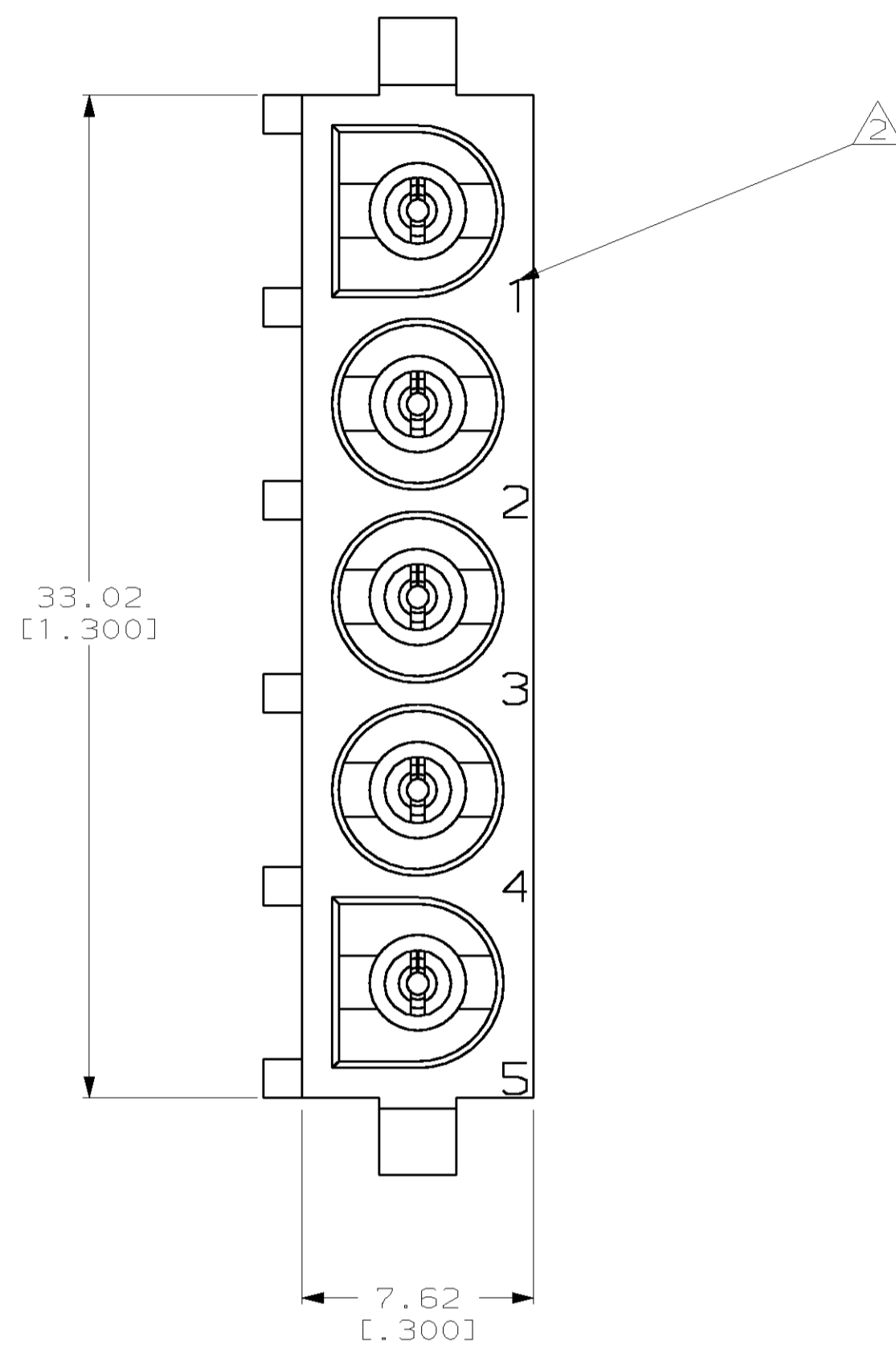
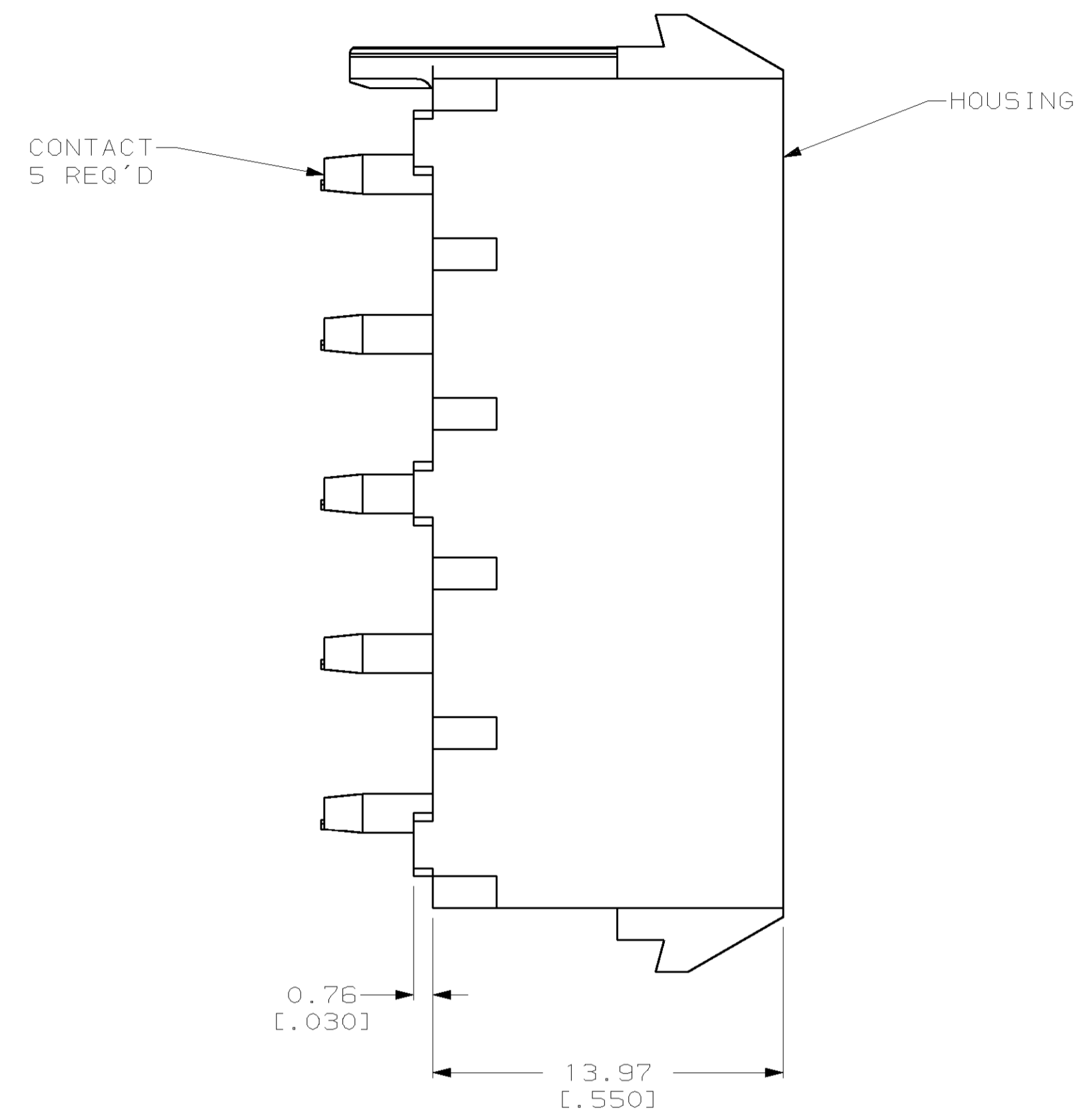
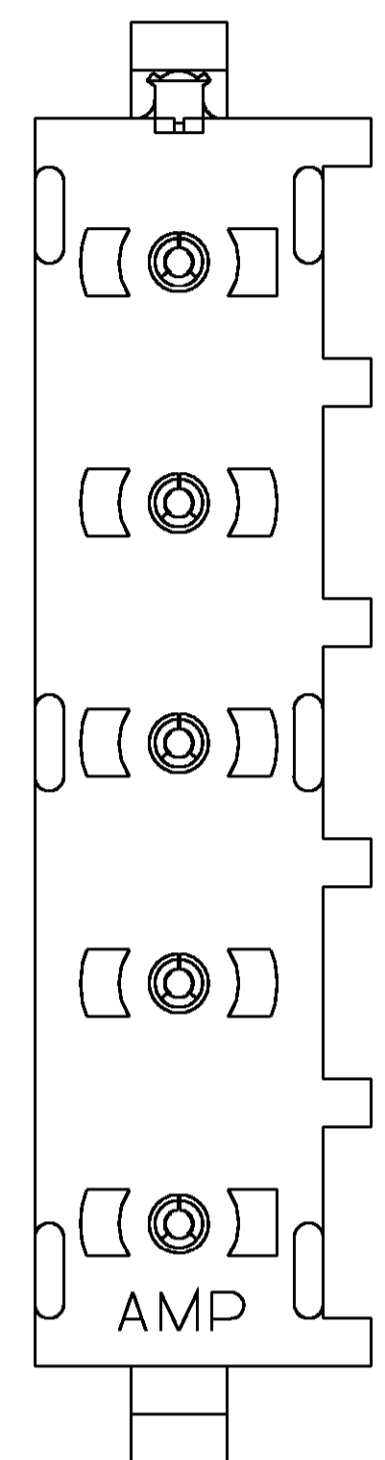


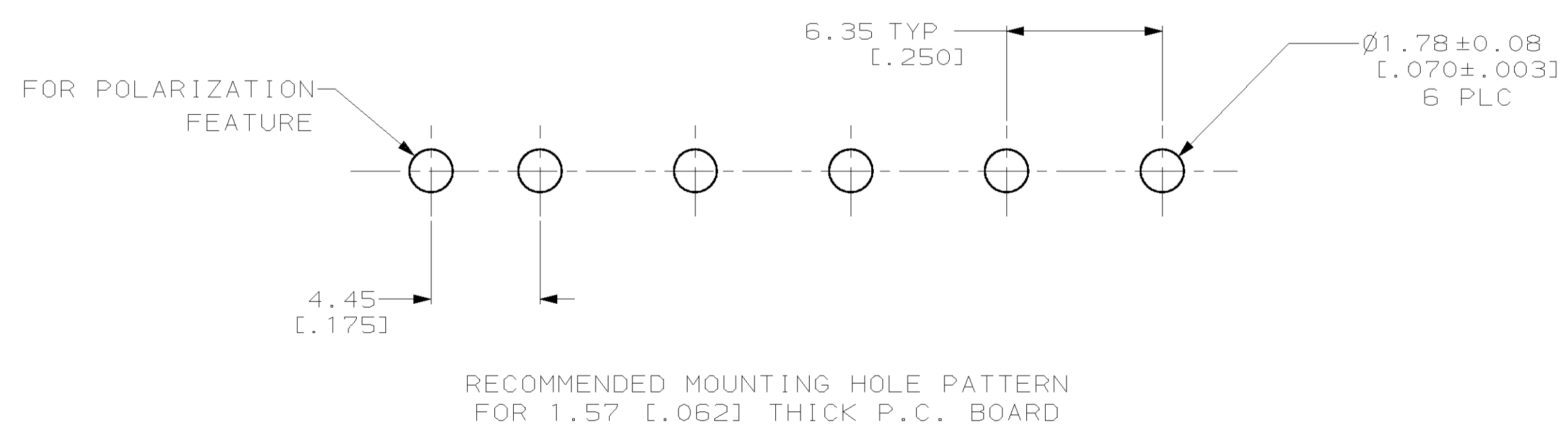
LOC	DIST	REVISIONS			
F	CHR	DESCRIPTION	DATE	OWN	APVD
N		REVISED PER EC 063B-0295-00	23-JUN-00	LM	KC

- PARTS COMPLY TO AMP SOLDERABILITY SPECIFICATION 109-11-3.
- CIRCUIT IDENTIFICATION CHARACTERS ARE ADJACENT TO THE INDICATED CAVITIES, BUT LOCATION AND ORIENTATION MAY DIFFER FROM PRINT.

4. DIMENSIONS IN BRACKETS ARE IN INCHES.



3-DIMENSIONAL MODEL
NTS



PHOSPHOR BRONZE, PRE-TIN	NYLON, UL94V-0, BLACK	643406-3
PHOSPHOR BRONZE, PRE-TIN	NYLON, UL94V-0, WHITE	643406-1
PIN CONTACT MATERIAL AND FINISH	HOUSING MATERIAL	PART NO

THIS DRAWING IS A CONTROLLED DOCUMENT.		DWN L. McEACHIN 07-JAN-2000	AMP AMP Incorporated Harrisburg, PA 17105-3608
TOLERANCES UNLESS OTHERWISE SPECIFIED:		CHK K. COBLE 07-JUN-2000	
DIMENSIONS: mm (INCHES)	0 PLC ±	NAME K. COBLE 07-JUN-2000	P/N HEADER ASSEMBLY, POLARIZED, 5 CIRCUIT, UNIVERSAL MATE-N-LOK™
	1 PLC ±	PRODUCT SPEC	
	2 PLC ±0.13 (.005)	APPLICATION SPEC	SIZE A1
	3 PLC ±	FINISH SEE TABLE	CAGE CODE 00779
	4 PLC ±	SCALE 5:1	DRAWING NO 643406
MATERIAL SEE TABLE	FINISH SEE TABLE	WEIGHT -	SHEET 1 OF 1
CUSTOMER DRAWING		REV N	

